

MODELS: 45-0179
TMO-33014A
190-484-000

H.D. LAWN ROLLER
(24" Dia. x 36" Wide)



SPECIFICATIONS:

- Roller Drum:** Dia. 24" x 36" Wide, Heavy Ga. Welded Steel
- O.A. Width:** Approx. 39-3/4"
- Bearings:** 1" I.D., Replaceable
- Tow Hitch:** St'd Pin Type - 5/8" Hole
- Weight w/ Water:** Up to 640 Lbs. Filled with Water
(Note: May be filled with sand)
- Approx. Sh. Wt.:** 110 Lbs. (2 Pcs.)



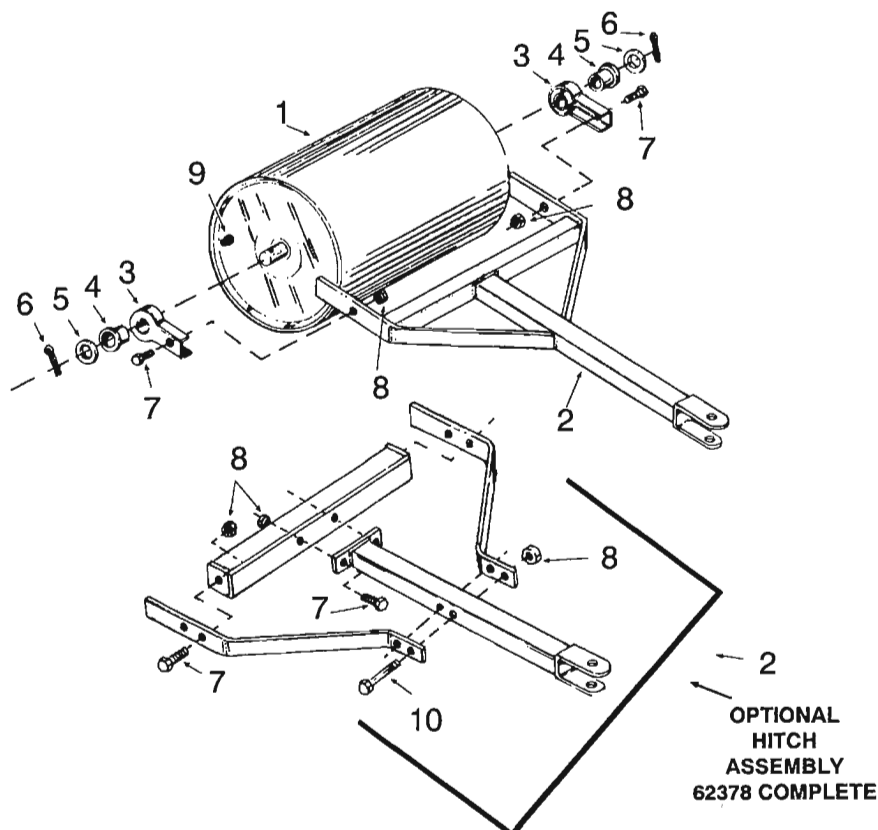
SAFETY PRECAUTIONS

1. **Never** attach a garden hose to the fill/drain hole when filling. Dangerous pressure build up could occur inside roller.
2. Do not fill roller to maximum weight without checking capability of vehicle to safely pull and stop.
3. Never use roller up and down hills; always work across hills and slopes.
4. Use caution when turning, slowing or stopping.
5. Always drain roller to keep from freezing.

ASSEMBLY INSTRUCTIONS

(See illustration below)

1. Remove two hex bolts (Ref. No. 7) and hex nuts (Ref. No. 8) from bearing mount brackets.
2. Place the hitch assembly (Ref. No. 2) in position in the bearing mount brackets (Ref. No. 3). Optional knockdown hitch requires assembly as shown below.
3. Secure hitch assembly with hardware, you removed in step 2.



PARTS LIST FOR HEAVY DUTY LAWN ROLLER MODELS: 45-0179, TMO-33014A and 190-484-000

Ref. No.	Part No.	Description	Ref. No.	Part No.	Description
1	62377	Lawn Roller Ass'y	7	43063	Hex Bolt 5/16-18 x 1.00" Lg.
2	62378	Hitch Ass'y Complete	8	43064	Hex Lock Nut 5/16-18
3	23397	Bearing Mount Bracket	9	43709	Plug 1"
4	43632	Bearing	10	1509-170	Hex Bolt 5/16-18 x 2-3/4" Lg.
5	43528	Flat Washer 1" Std.			
6	43501	Cotter Pin 5/32" Dia. 1-1/2" Lg.			

REPAIR PARTS

303 West Raymond St.
Sullivan, IL. 61951 - Telephone (217)728-8388

Printed in USA - Form No. 43707 (Rev. 3/93)